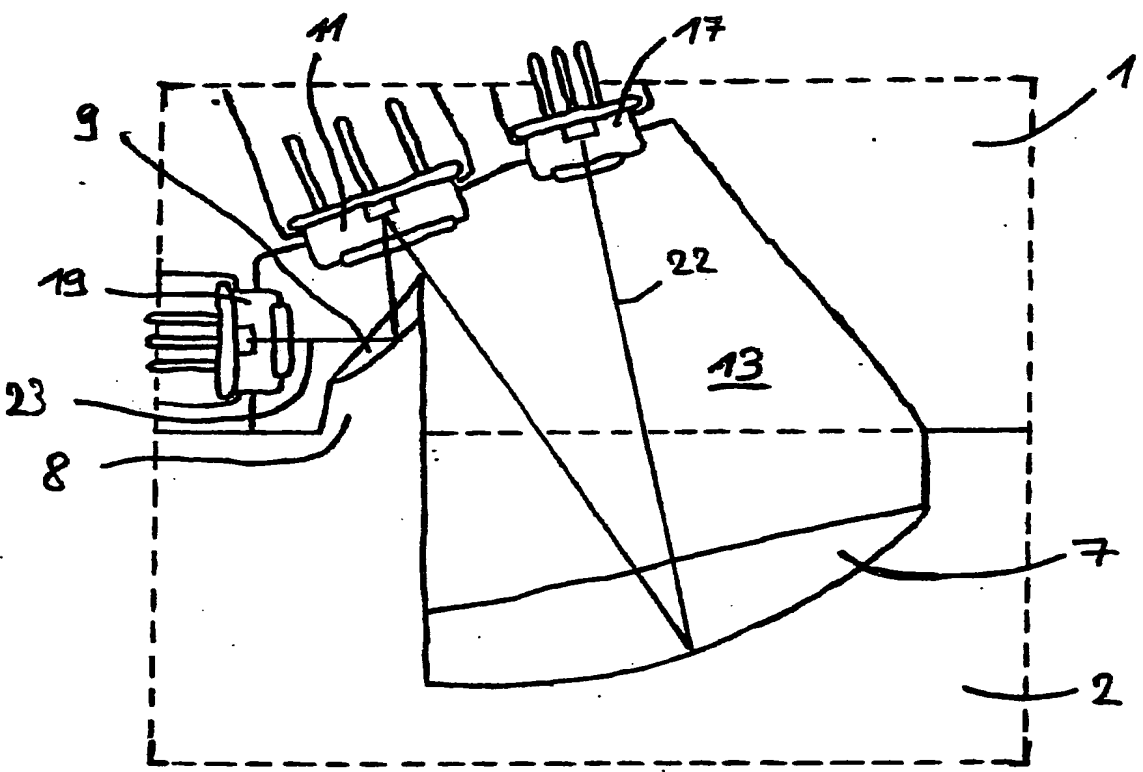


Fig. 1



092547 092547

FOUR 452660

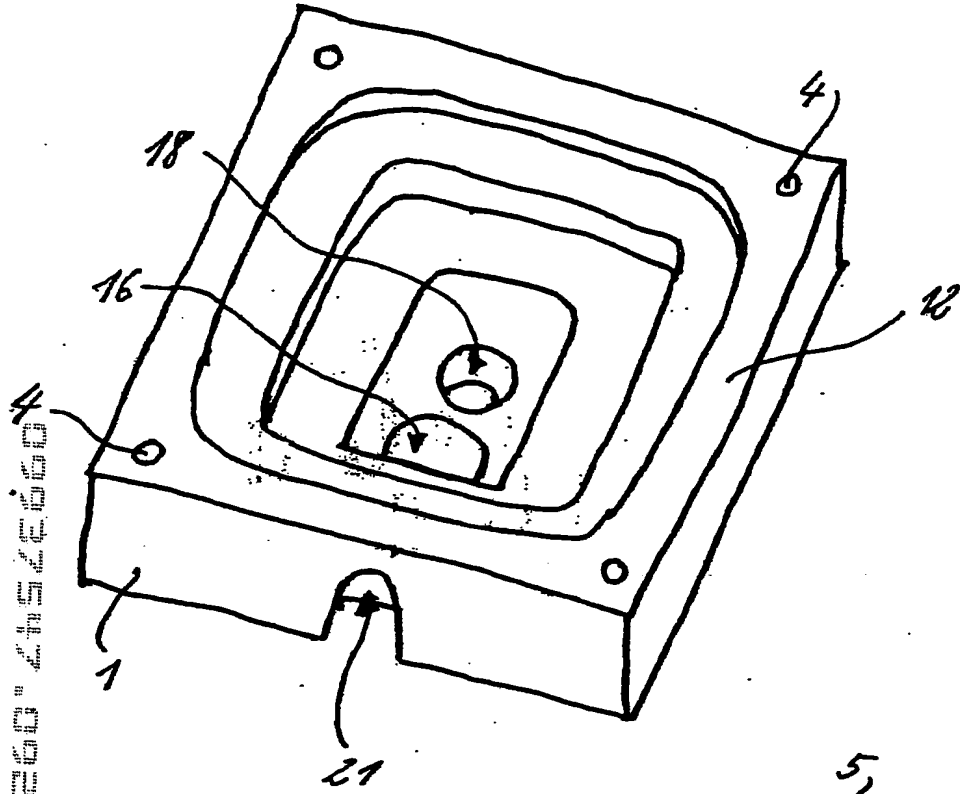


Fig. 29

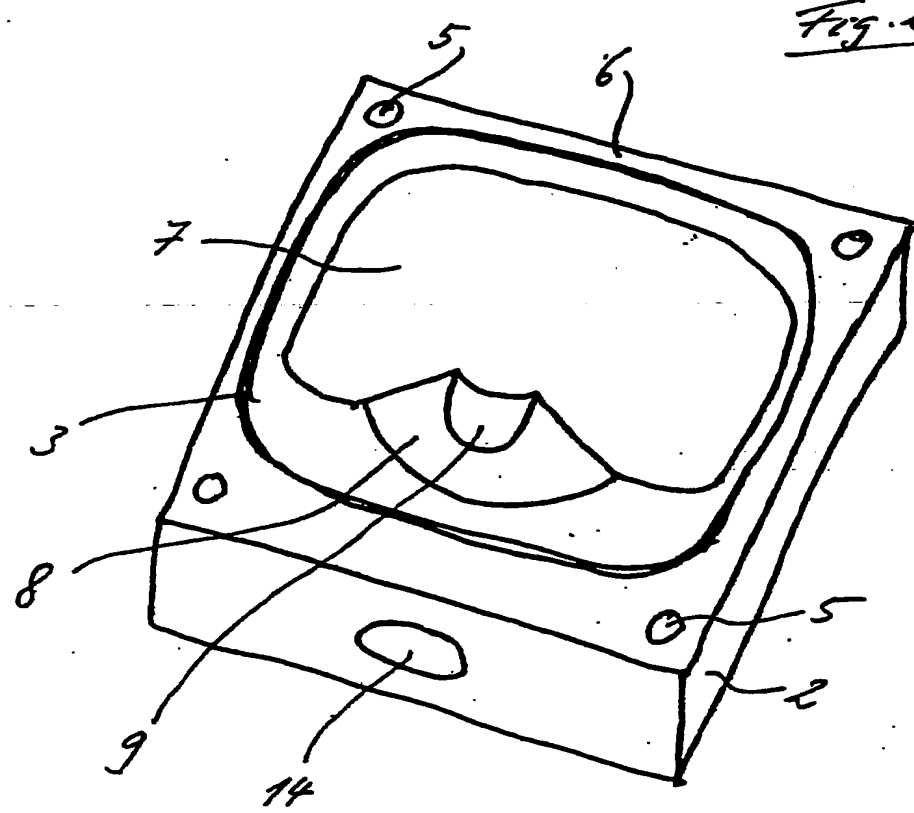


Fig. 26

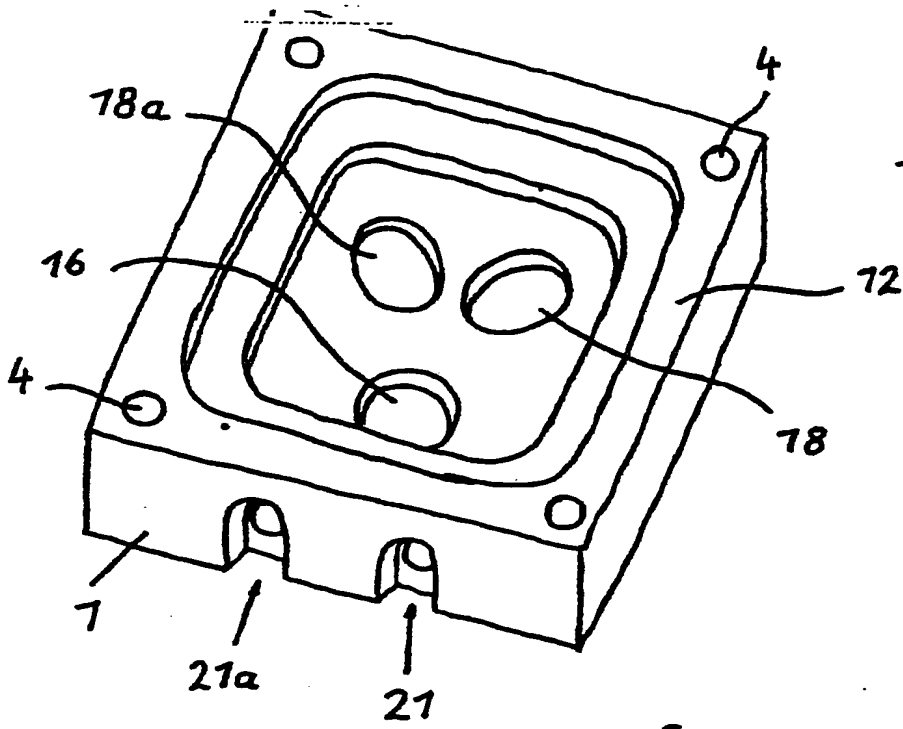


Fig 3a

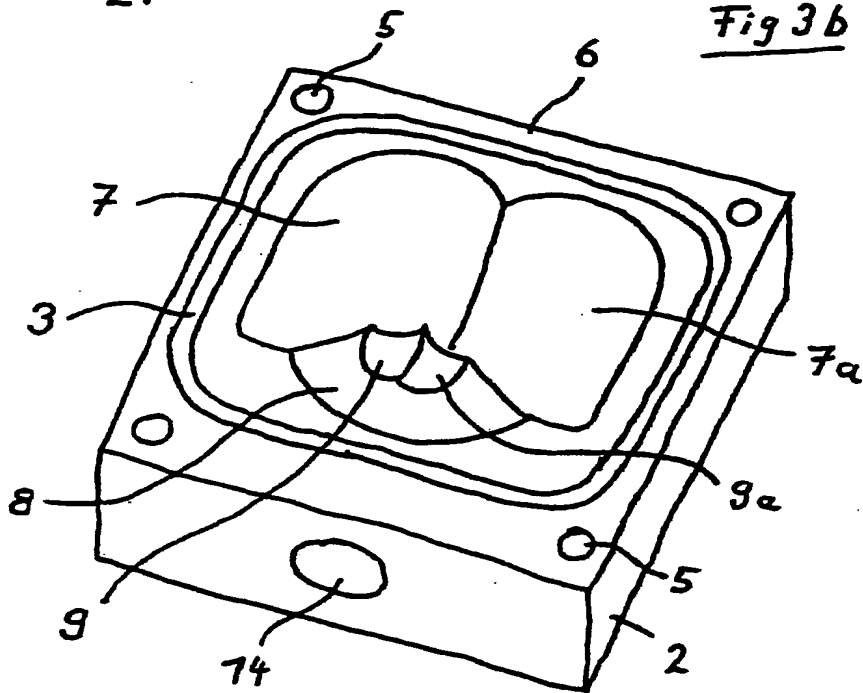


Fig 3b

NO. 2,452,660